

DEIMOS SR

DEIMOS SR P925175 00001
DEIMOS SR PROX P925175 00002

Incorporated control board:
MIZAR

Available as a kit: DEIMOS KIT

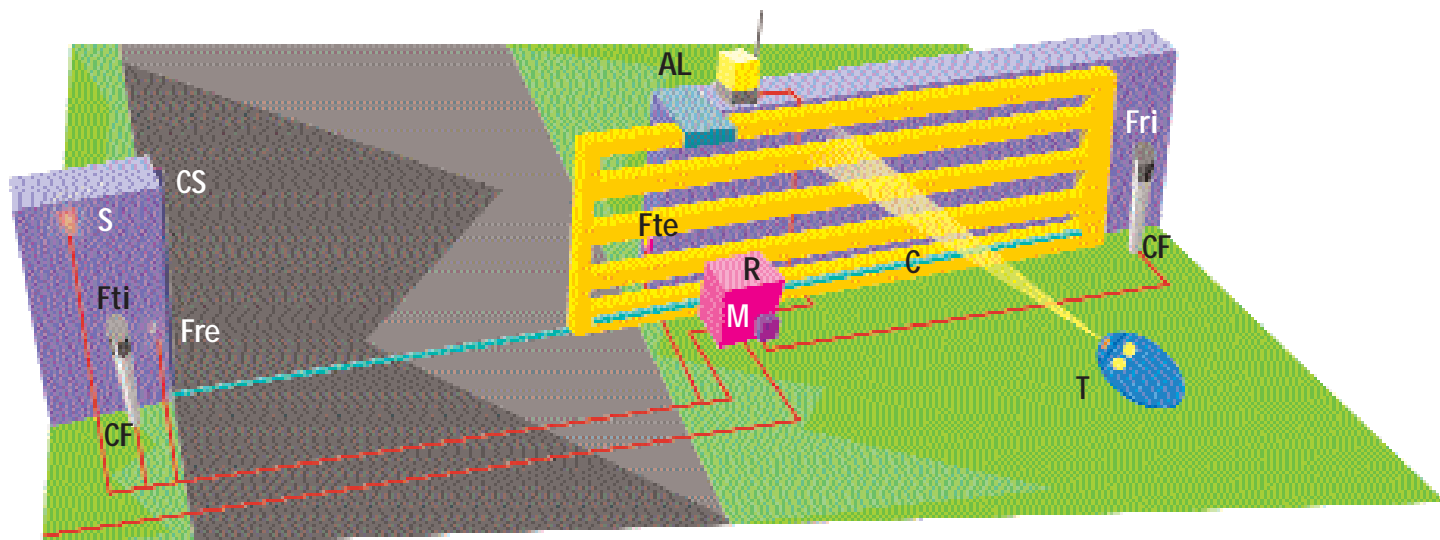
- **Versatile and functional thanks** to the lowered position of the pinion and compactness of the operator, the DEIMOS SR irreversible gearmotor is particularly suitable for residential type installations.
- **Design and practicality:** great aesthetic innovation and improved casing solidity.
- **Anti-squash safety provided** by the adjustable mechanical clutch.
- **Safe and simplified release manoeuvre** by means of the new ergonomic knob.
- **Easier access to the control panel** provided by the control board located on the front.
- Also available with inductive limit switch device: DEIMOS SR PROX.



Operator DEIMOS SR

Single-phase power supply	230 V \pm 10%, 50 Hz
Absorbed power	290 W
Thermal protection	integrated
Max. leaf weight	5000 N (~500 Kg)
Output revolutions	48 min ⁻¹
Pinion pitch	4 mm (14 teeth)
Leaf speed	8.5 m/min
Impact reaction	mechanical clutch
Manual manoeuvre	mechanical release through special knob
No. manoeuvres in 24 hours	100
Control panel	Mizar
Type of limit device	electromechanical or inductive
Environmental conditions	from -15°C to +60°C
Degree of protection	IP24
Operator weight	15 kg
Dimensions	see drawing

Electromechanical automation for rack sliding gates weighing up to 500 Kg, residential use

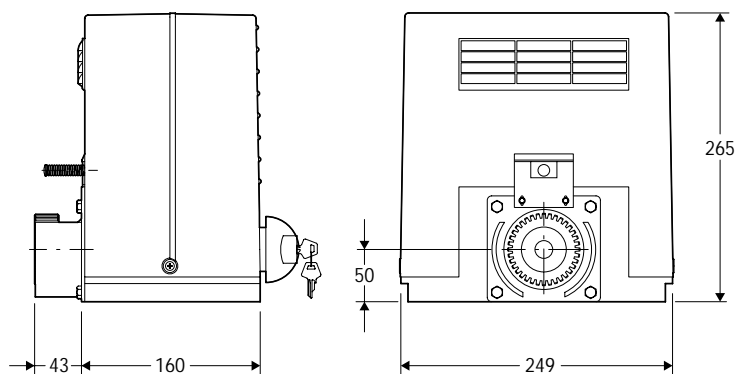


Example of installation

- M Operator DEIMOS SR (P925175 00001) with built-in control panel
- R single-channel rolling code receiver, suitable for Mitto transmitter (D111453)
- T double-channel rolling code transmitter, Mitto 2 (D111453)
- Ftx-Frx pair of photocells, Cellula130 (P111273)
- CF pair of photocell posts, CC130 (P903005)
- AL blinker LampoPA (D113622 00001) with antenna SL433 (D111652)
- S key selector, Intro (P121011)
- C plastic rack, CPZ (D221037)
- CS safety edge

• For system layout and installation conditions, refer to the standards and laws in force in the country of installation

Dimensions



Main characteristics

- Irreversible type electromechanical operator for the automation of sliding gates for residential use
- DEIMOS SR is provided with a control board placed at the front of the motor
- removable terminal bar and self-diagnosis LED
- release knob
- mechanical torque force setting
- Main specifications: supply 230 V \pm 10% 50Hz
- power 290W
- leaf speed 8.5m/min
- max leaf weight 5000N.

